

Range Finder Sensor LS-0905B-600M-1M-A2

Features

- High precision
- High measurement frequency
- Long ranging up to 600m
- IP67 waterproof protection
- Good real-time performance
- Friendly interface
- Small size
- High reliability

Applications

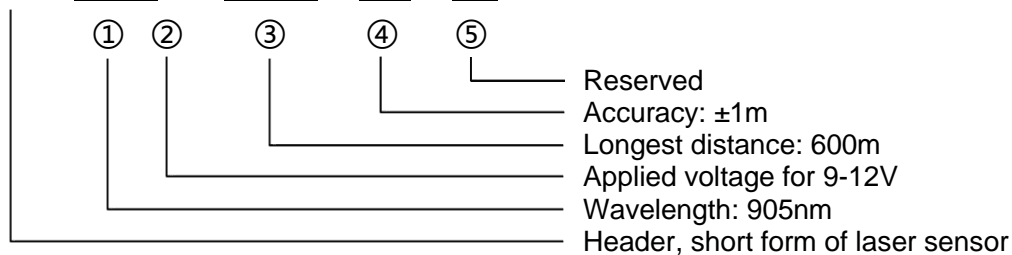
- Traffic light control
- Positioning sensing
- Electrical cable monitoring
- Dam deformation monitoring
- Hill slope monitoring
- Range monitoring
- Traffic flow monitoring
- Stuff position monitoring
- Military applications



Part Number	Description
LS-0905B-600M-1M-A2	905nm VCSEL, Range finder sensor, 5~600m, 5Hz

CODE RULES

e.g. LS - 0905B - 600M - 1M - A2



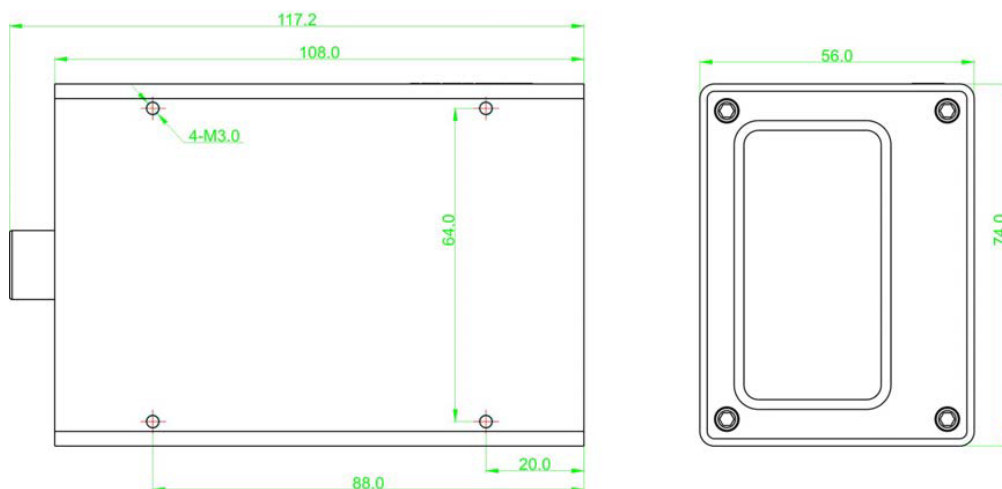
Description

A2 is high-performance range finder sensors, integrated with excellent optics and high accuracy timer. It can measure up to 80Hz and can give out the real-time distance between range finder and the object. It is easy to integrate due to its friendly interfaces and compact size.

Specifications

Parameters	Typical values	Unit	Remarks
Model no.	LS-0905B-600M-1M-A2	-	
Range	5~600	m	Grey object
Accuracy	±1	m	Maximum error
Resolution	1	m	
Measured Frequency	5	Hz	
Laser wavelength	905	nm	Full angle
Fan angle	< 5	mrad	
Laser class	Class IIB	-	Eye safe
Indicator	Overlapped if have	-	Eye safe
Water and dust proof	IP67		
Can material	Aluminum alloy		
Can color	Deep blue		
Operating temperature	-30~60	°C	
Storage temperature	-40~70	°C	
Power supply	9~12	V	
Power consumption	< 2	W	
Dimensions	L117.2xW74xH56	mm	
Data interface	RS232 / RS485 / 4~20mA / fiber connector	-	Select one
Data anode	See manual		
Data cathode	See manual		
Baud	9,600	bps	
Power supply anode	Red	-	
Power supply cathode	Black	-	
Control signal	TTL (if have)	-	
Control cable	White (if have)	-	
Communication protocol	See manual		

Mechanical drawing



Electronic and electric connections



7-pin aviation terminal



RS232 – Red is +12V
 Black is -12V

Notes:

1. Please read the manual carefully before operating;
2. Please connect each cable correctly according to the definition in the manual;
3. Please check the voltage and power supply before operating;
4. Please check the data interface;
5. Don't immerse the device into water in spite of its water and dust proof;

Laser safety

The laser used in this device is classified as Class IIB, which is eye-safe one. Please refer to GB7247.1-2016 / IEC60825-1:2014 "Laser Product Safety: Part 1: Devices classifications, requirements and user's manual".

Copyright

This product documentation is reserved to Brightlaser Limited. Any person or any third party cannot partly or wholly copy without the permission from Brightlaser Limited. Otherwise one may be prosecuted.

Revision history

Revision	Date	Description
V.01	2020/01/07	The first official edition