

## Range Finder Sensor LS-0905B-001K-1M-A2

### Features

- High precision
- High measurement frequency
- Long ranging up to 1000m
- IP67 waterproof protection
- Good real-time performance
- Friendly interface
- Small size
- High reliability

### Applications

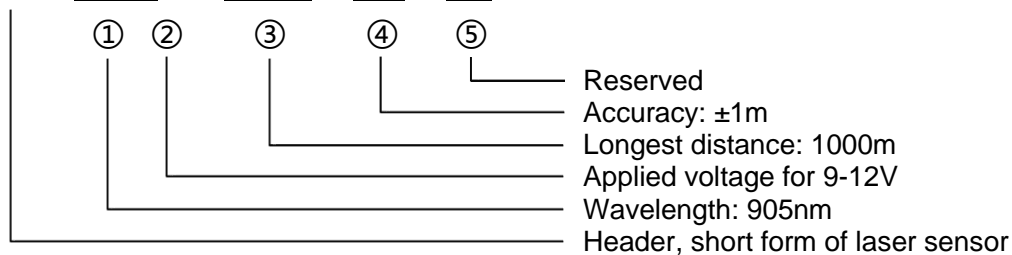
- Traffic light control
- Positioning sensing
- Electrical cable monitoring
- Dam deformation monitoring
- Hill slope monitoring
- Range monitoring
- Traffic flow monitoring
- Stuff position monitoring
- Military applications



Part Number	Description
LS-0905B-001K-1M-A2	905nm VCSEL, Range finder sensor, 10~1000m, 5Hz

### CODE RULES

e.g. LS - 0905B - 001K - 1M - A2



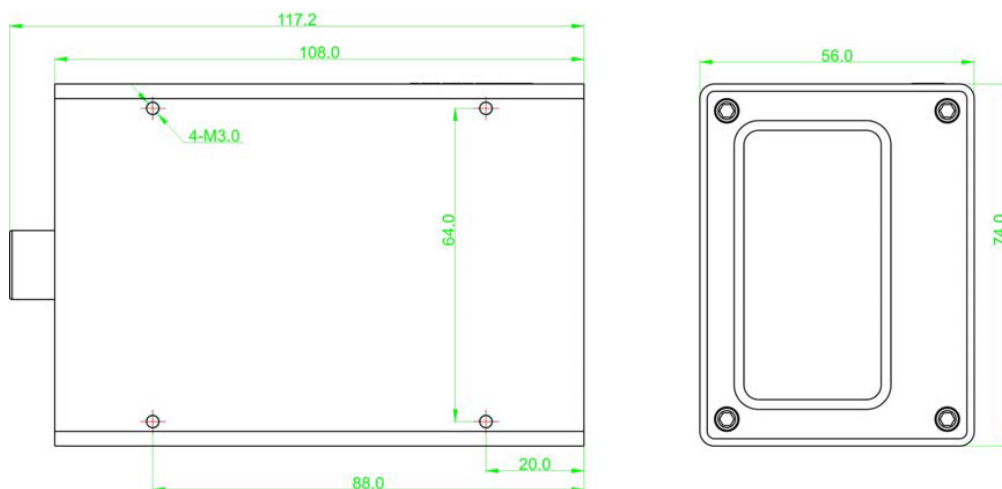
### Description

A2 is high-performance range finder sensors, integrated with excellent optics and high accuracy timer. It can measure up to 80Hz and can give out the real-time distance between range finder and the object. It is easy to integrate due to its friendly interfaces and compact size.

## Specifications

Parameters	Typical values	Unit	Remarks
Model no.	LS-0905B-600M-1M-A2	-	
Range	5~600	m	Grey object
Accuracy	±1	m	Maximum error
Resolution	1	m	
Measured Frequency	5	Hz	
Laser wavelength	905	nm	Full angle
Fan angle	< 5	mrad	
Laser class	Class IIB	-	Eye safe
Indicator	Overlapped if have	-	Eye safe
Water and dust proof	IP67		
Can material	Aluminum alloy		
Can color	Deep blue		
Operating temperature	-30~60	°C	
Storage temperature	-40~70	°C	
Power supply	9~12	V	
Power consumption	< 2	W	
Dimensions	L117.2xW74xH56	mm	
Data interface	RS232 / RS485 / 4~20mA / fiber connector	-	Select one
Data anode	See manual		
Data cathode	See manual		
Baud	9,600	bps	
Power supply anode	Red	-	
Power supply cathode	Black	-	
Control signal	TTL (if have)	-	
Control cable	White (if have)	-	
Communication protocol	See manual		

## Mechanical drawing



## Electronic and electric connections



7-pin aviation terminal



RS232 – Red is +12V  
 Black is -12V

### Notes:

1. Please read the manual carefully before operating;
2. Please connect each cable correctly according to the definition in the manual;
3. Please check the voltage and power supply before operating;
4. Please check the data interface;
5. Don't immerse the device into water in spite of its water and dust proof;

### Laser safety

The laser used in this device is classified as Class IIB, which is eye-safe one. Please refer to GB7247.1-2016 / IEC60825-1:2014 "Laser Product Safety: Part 1: Devices classifications, requirements and user's manual".

### Copyright

**This product documentation is reserved to Brightlaser Limited. Any person or any third party cannot partly or wholly copy without the permission from Brightlaser Limited. Otherwise one may be prosecuted.**

### Revision history

Revision	Date	Description
V.01	2020/01/07	The first official edition