

## Range Finder Sensor LS-0635C-0X0M-1m-A6

### Features

- High precision
- High measurement frequency
- IP67 waterproof protection
- Good real-time performance
- Friendly interface
- Small size
- High reliability

### Applications

- Traffic light control
- Positioning sensing
- Electrical cable monitoring
- Dam deformation monitoring
- Hill slope monitoring
- Range monitoring
- Traffic flow monitoring
- Stuff position monitoring
- Military applications

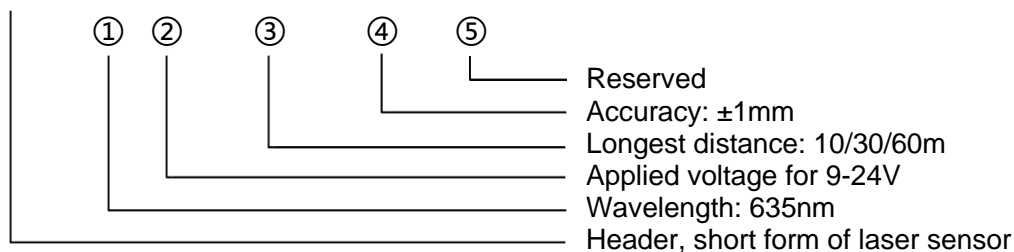


### PRODUCT IDENTIFY

Part Number	Description
LS-0635C-0X0M-1m-A6	635nm VCSEL, Range finder sensor, 0.15~60m, 5/10Hz

### CODE RULES

e.g. LS - 0635C - 0X0M - 1m - A6



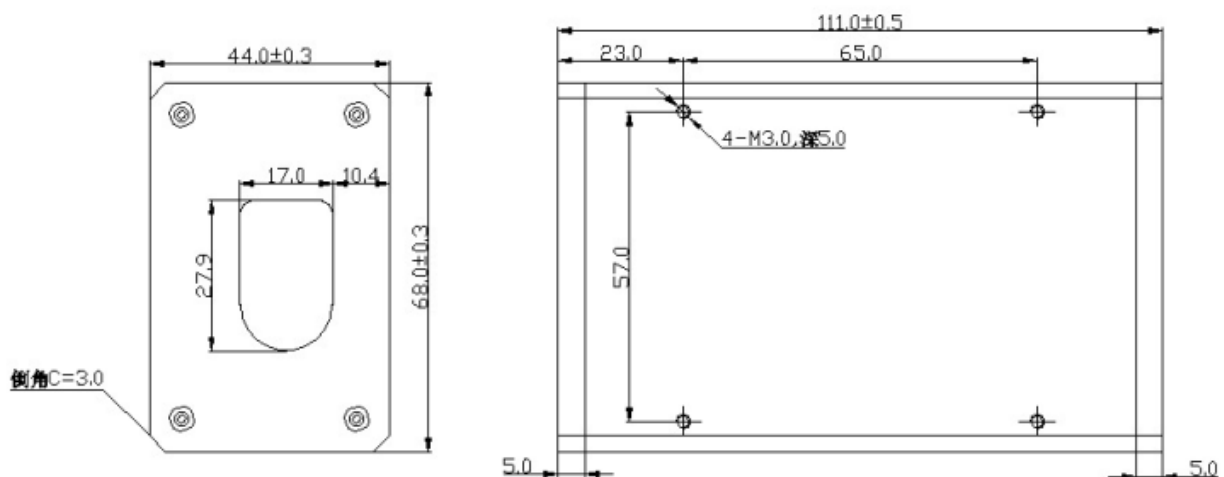
### Description

A6 is high-performance range finder sensors, integrated with excellent optics and high accuracy timer. It can measure up to 5-10Hz and can give out the real-time distance between range finder and the object. It is easy to integrate due to its friendly interfaces and compact size.

## Specifications

Parameters	Typical values			Unit	Remarks
Model no.	LS-0635C-010M-1m-A6	LS-0635C-030M-1m-A6	LS-0635C-060M-1m-A6	-	
Range	0.15~10	0.15~30	0.15~60	m	Grey object
Accuracy	± 1			mm	Max. error
Resolution	1			m	
Measured Frequency	5/10			Hz	
Laser wavelength	635			nm	Full angle
Fan angle	< 1			mrad	
Laser class	Class I			-	Eye safe
Indicator	-			-	Eye safe
Water and dust proof	IP67				
Can material	Aluminum alloy				
Can color	Deep blue				
Operating temperature	-30~60			°C	
Storage temperature	-40~70			°C	
Power supply	9~24			V	
Power consumption	< 2			W	
Dimensions	L125xW55xH35			mm	
Data interface	RS232 / RS485 / URAT (TTL)			-	Select one
Data anode	See manual				
Data cathode	See manual				
Baud	9600			bps	
Power supply anode	Red			-	
Weight	310g			-	

## Mechanical drawing



## Electronic and electric connections



7-pin aviation terminal



RS232 – Red is +12V  
 Black is -12V

### Notes:

1. Please read the manual carefully before operating;
2. Please connect each cable correctly according to the definition in the manual;
3. Please check the voltage and power supply before operating;
4. Please check the data interface;
5. Don't immerse the device into water in spite of its water and dust proof;

### Laser safety

The laser used in this device is classified as Class I, which is eye-safe one. Please refer to GB7247.1-2016 / IEC60825-1:2014 "Laser Product Safety: Part 1: Devices classifications, requirements and user's manual".

### Copyright

This product documentation is reserved to Brightlaser Limited. Any person or any third party cannot partly or wholly copy without the permission from Brightlaser Limited. Otherwise one may be prosecuted.

### Revision history

Revision	Date	Description
V.01	2020/01/07	The first official edition